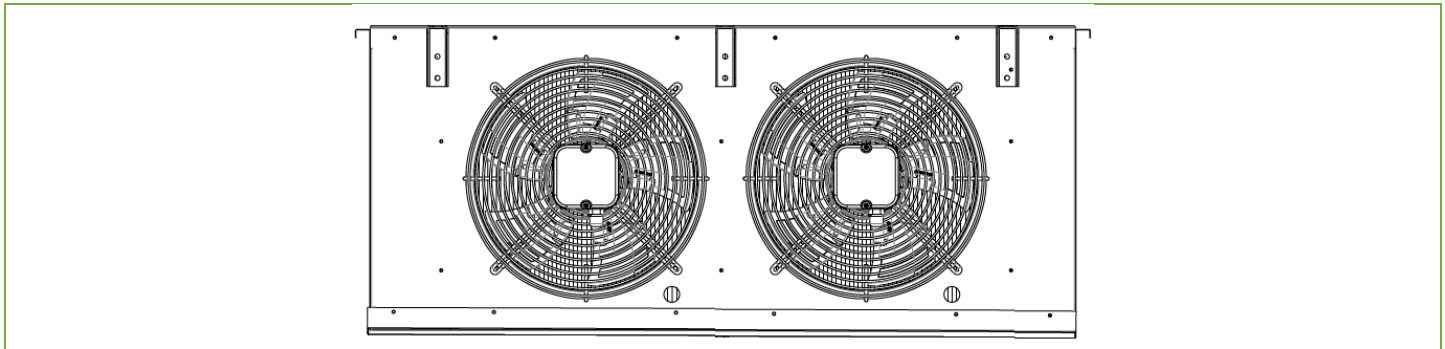


Capacity Information				
Capacity	4,781 Watt	3,374 Watt	Heat Transfer Surface	13,58 m ²
Average Room Temperature	0 °C	-18 °C	Tube Volume	4,79 dm ³ .
Evaporation Temperature	-8 °C	-25 °C	Fin Spacing	8 mm
ΔT	8 K	7 K	Test Pressure / Max. Operating Pressure	35 bar
Refrigerant	R404A		Energy Efficiency Class	D
Altitude	0 m		Air Throw Distance	0 m

Fan Specifications			
Air Flow	5.200 m ³ /h	Fan Protection	IP 54
Number of Fans / Fan Diameter / Fan Cycle	2/350mm/1400rpm	Operating Temperature Range	-25/75
Total Fan Power / Current	0.4 kW / 1,6 A	Sound Power Level (LWA)	66 dBA
Fan Voltage / Fan Frequency / Fan Phase	230Volt/50Hz/1 Ph	Sound Pressure Level (LPA)	35dBA@3m
Fan Rankings	1x2		



Dimensions							
Width	410 mm	Inlet Line	1/2"	Length	1.220 mm	Outlet Line	7/8"
Collector Qty	1	Weight	42 kg	Height	545 mm		

- Notes.
- Capacity correction calculation for altitude is according to related Eurovent Standard.
 - Sound pressure calculation standard: EN13487
 - Energy Efficiency Class calculation standards: EN328 and Related Eurovent Standard. Standard Conditions: SC2,R404A
 - All of the technical information is subject to change without notice.
 - All of the performance and technical data according to default configuration.