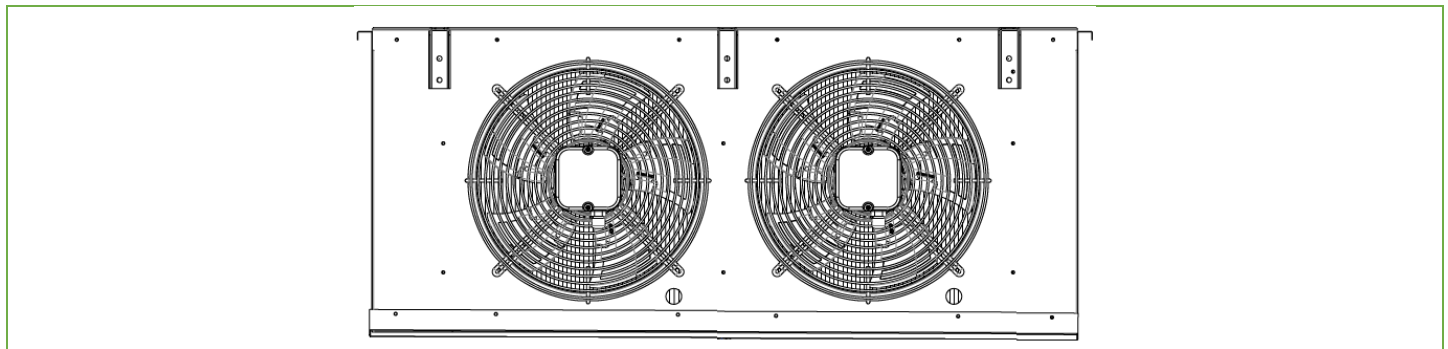


Capacity Information				
Capacity	14,026 Watt	10,587 Watt	Heat Transfer Surface	47,54 m <sup>2</sup>
Average Room Temperature	0 °C	-18 °C	Tube Volume	16,75 dm <sup>3</sup> .
Evaporation Temperature	-8 °C	-25 °C	Fin Spacing	8 mm
ΔT	8 K	7 K	Test Pressure / Max. Operating Pressure	35 bar
Refrigerant	R404A		Energy Efficiency Class	D
Altitude	0 m		Air Throw Distance	0 m

Fan Specifications			
Air Flow	13.480 m <sup>3</sup> /h	Fan Protection	IP 54
Number of Fans / Fan Diameter / Fan Cycle	2/500mm/1400rpm	Operating Temperature Range	-25/75
Total Fan Power / Current	1.6 kW / 6,6 A	Sound Power Level (LWA)	
Fan Voltage / Fan Frequency / Fan Phase	230Volt/50Hz/1 Ph	Sound Pressure Level (LPA)	50 dBA
Fan Rankings	1x2		



Dimensions							
Width	592 mm	Inlet Line	5/8"	Length	1.680 mm	Outlet Line	1.3/8"
Collector Qty	1	Weight	97 kg	Height	725 mm		

- Notes.
- Capacity correction calculation for altitude is according to related Eurovent Standard.
  - Sound pressure calculation standard: EN13487
  - Energy Efficiency Class calculation standards: EN328 and Related Eurovent Standard. Standard Conditions: SC2,R404A
  - All of the technical information is subject to change without notice.
  - All of the performance and technical data according to default configuration.